

STA-RITE® PN Series

Corrosion-resistant self-priming shallow well jet pumps



PN Series Shallow Well Jet Pumps are corrosion- and abrasion-resistant and are ideal for wells with pumping levels of 25' or less.

Self-priming after the pump housing is initially filled with water.

Capacities to 18 GPM. Available in 1/2, 3/4 and 1 HP models.

Supplied with the industry standard 30-50 pressure switch setting.

APPLICATIONS

Water Systems
 Booster Pump
 Marine Use
 Mist Sprayers – Poultry
 Fountains and Water Features

SPECIFICATIONS

Body and Seal Plate: Fiberglass-reinforced thermoplastic
Impeller: Engineered polymer
Base: 12-gauge steel
Nozzle, Venturi, Diffuser: Polypropylene

FEATURES

Quality Construction: Fiberglass-reinforced thermoplastic body provides total corrosion resistance and high resistance to abrasion.

Built-in Jet: Shallow-well jet has corrosion-resistant polypropylene nozzle and venturi.

Impeller: Precision-molded for perfect balance...ultra-smooth for highest performance and efficiency.

Precision-Molded Diffuser: Polypropylene diffuser allows pump to prime faster, handle more air.

Heavy-Duty Motor: Stainless steel shaft and dual heavy-duty ball bearings.

Heavy-Duty Ball Bearings: Shielded, permanently lubricated bearings, extensively tested to ensure extended life and smooth, quiet operation.

Dual Voltage Capability: Dual voltage motors are shipped at the 230-volt setting.

Professional Quality, Pre-set 30-50 PSI: Allows for cut-in pressure adjustments.

New Nozzle Cleanout: Easy plug removal and access for ease of service.

New Drain Plug: Bottom-mounted for easy draining and winterization.

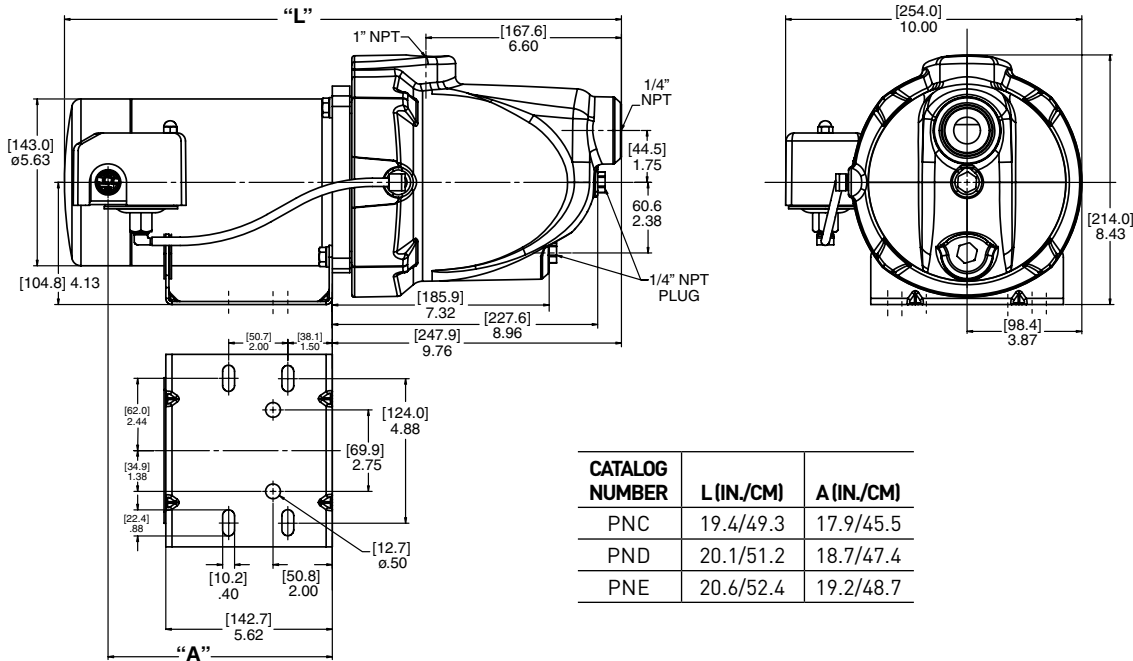
ORDERING INFORMATION

| CATALOG NUMBER | HP | DESCRIPTION | PIPE TAPPING SIZES | | MOTOR VOLTAGE | APPROX. WT. LBS./KG |
|----------------|-----|------------------|--------------------|-----------|---------------|---------------------|
| | | | SUCTION | DISCHARGE | | |
| PNC | 1/2 | Shallow Well Jet | 1-1/4" | 1" | 115/230 | 21/9.5 |
| PND | 3/4 | Shallow Well Jet | 1-1/4" | 1" | 115/230 | 24/11 |
| PNE | 1 | Shallow Well Jet | 1-1/4" | 1" | 115/230 | 26/12 |

STA-RITE® PN Series

Corrosion-resistant self-priming shallow well jet pumps

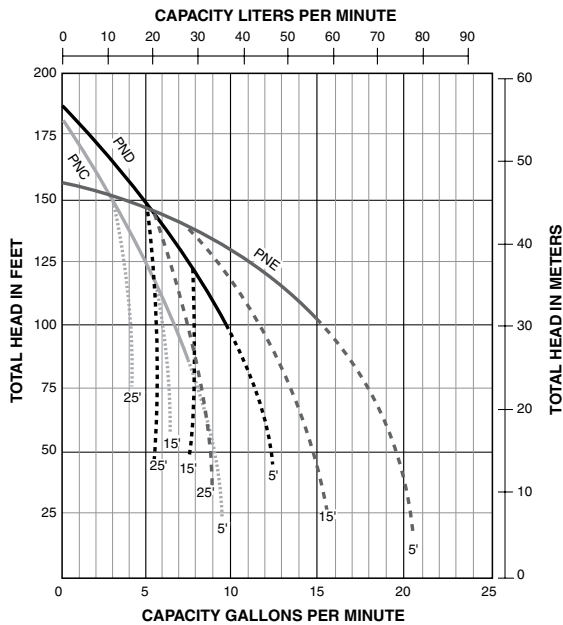
OUTLINE DIMENSIONS



| CATALOG NUMBER | L (IN./CM) | A (IN./CM) |
|----------------|------------|------------|
| PNC | 19.4/49.3 | 17.9/45.5 |
| PND | 20.1/51.2 | 18.7/47.4 |
| PNE | 20.6/52.4 | 19.2/48.7 |

Dimensions (in inches) are for estimating purposes only.

PUMP PERFORMANCE: 10 GPM



PUMP PERFORMANCE (Capacity in gallons/liters per minute)

| CATALOG NUMBER | HP | TOTAL SUCTION LIFT FT./M | DISCHARGE PRESSURE PSI/BAR | | | SHUT-OFF PSI/BAR |
|----------------|-----|--------------------------|----------------------------|-----------|-----------|------------------|
| | | | 30/2.1 | 40/2.8 | 50/3.5 | |
| PNC | 1/2 | 5/1.5 | 8.5/32.2 | 7.4/28.0 | 5.2/19.7 | 77/5.30 |
| | | 10/3.0 | 7.1/26.9 | 6.4/24.2 | 5.1/19.3 | |
| | | 15/4.6 | 6.5/24.6 | 6.1/23.1 | 4.5/17.0 | |
| | | 20/6.1 | 5.4/20.4 | 5.1/19.3 | 4.1/15.5 | |
| PND | 3/4 | 5/1.5 | 12.1/45.8 | 10.7/40.5 | 8.5/32.2 | 78/5.37 |
| | | 10/3.0 | 10.7/40.5 | 10.2/38.6 | 8.4/31.8 | |
| | | 15/4.6 | 9.0/34.1 | 8.5/32.2 | 8.1/30.7 | |
| | | 20/6.1 | 7.6/28.8 | 7.3/27.6 | 7.1/26.9 | |
| PNE | 1 | 5/1.5 | 18.0/68.1 | 16.8/63.6 | 13.5/51.1 | 67/4.62 |
| | | 10/3.0 | 17.1/64.7 | 16.1/60.9 | 13.4/50.7 | |
| | | 15/4.6 | 14.9/56.4 | 14.4/54.5 | 13.0/49.2 | |
| | | 20/6.1 | 12.6/47.7 | 12.2/46.2 | 12.0/45.4 | |
| | | 25/7.6 | 8.8/33.3 | 8.5/32.2 | 8.1/30.7 | |

Pumps will operate at all depths shown, with pressure switch set at 30-50 PSI. Tested and rated in accordance with Water Systems Council Standards.

NOTE: Pumps installed with a Pro-Source® tank require a 100 PSI relief valve. Pumps installed with a conventional tank require a 75 PSI relief valve. Relief valve must be capable of relieving entire flow of pump at relief pressure.

