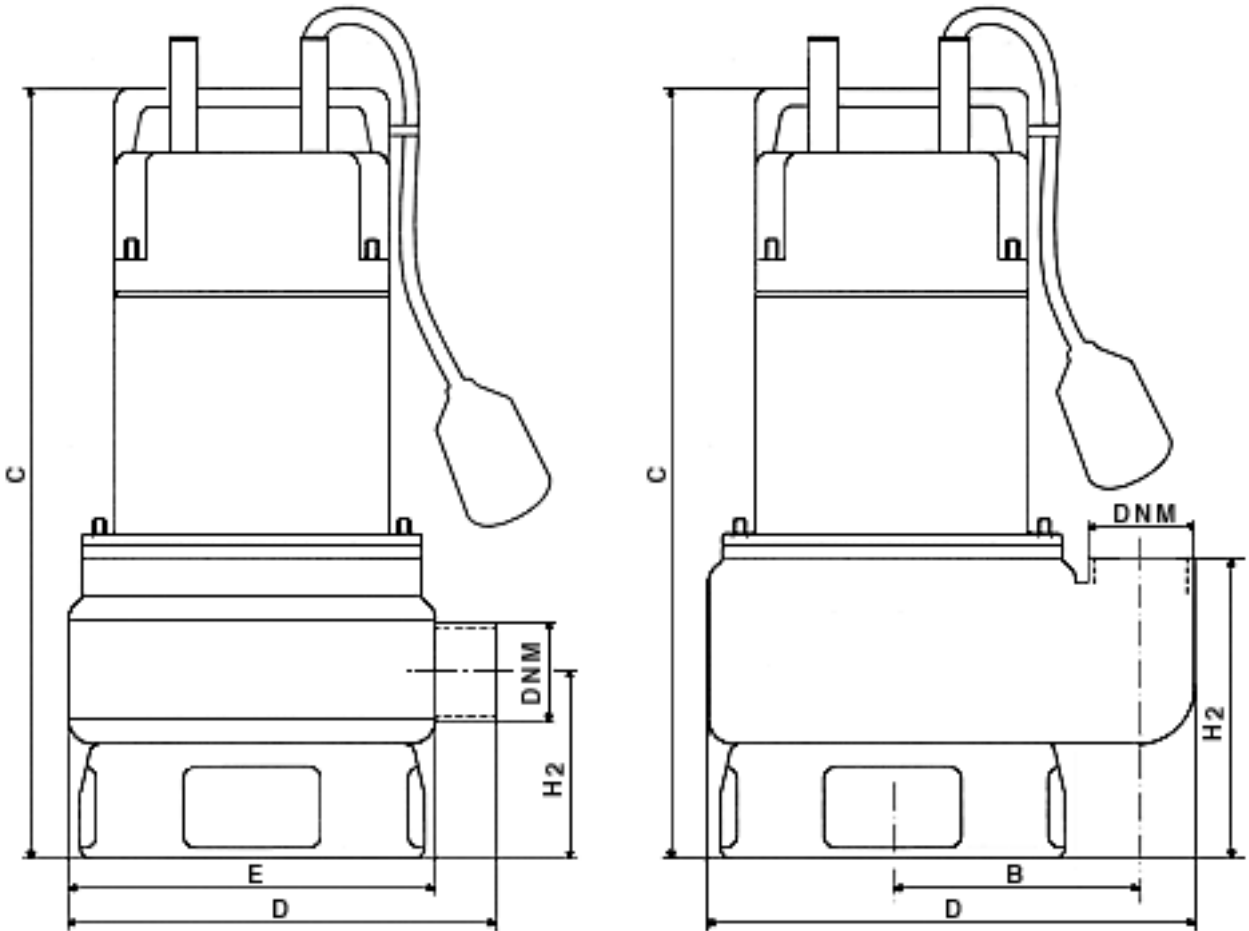


Sommergibili - Submersible electric pumps - serie DX/DG

Dimensioni - Dimensions



TIPO TYPE	Dimensioni mm Dimensions mm Dimensions mm Masstabelle mm Dimensiones mm						Dimensioni imballo mm Dimensions d'emballage mm Packing dimensions mm Verpackungsmasse mm Dimensiones embalaje mm				Peso Poids Weight Gewicht Peso
	B	C	D	E	H2	DNM	I	L	M	Kg	
DX 80 G	-	395	183	160	100	1" 1/2	170	235	450	10	
DX 80/2 G	-	395	183	160	100	2"	170	235	450	10	
DX 100 G	-	395	183	160	100	1" 1/2	170	235	450	11.5	
DX 100/2 G	-	395	183	160	100	2"	170	235	450	11.5	
DG 80 G	110	410	230	-	160	1" 1/2	170	235	450	12	
DG 80/2 G	110	410	230	-	160	2"	170	235	450	12	
DG 100 G	110	410	230	-	160	1" 1/2	170	235	450	13.5	
DG 100/2 G	110	410	230	-	160	2"	170	235	450	13.5	